



Side Hinged



Bi-Fold



Personnel



Wicket doors



Up & Over

BESPOKE HAND CRAFTED GARAGE DOORS
BRITISH MADE



2016

selectgaragedoors.co.uk

Rivington range



Rivington Centre Split



Rivington off Centre Split
Hinged on the right



Rivington Canopy

Adlington range



Adlington Centre Split
Hinged on the right



Adlington off Centre Split
Hinged on the right



Adlington Canopy

Cartmel range



Cartmel Centre Split
Hinged on the right



Cartmel off Centre Split
Hinged on the left



Cartmel Canopy



Colour range



Rivington Retractable



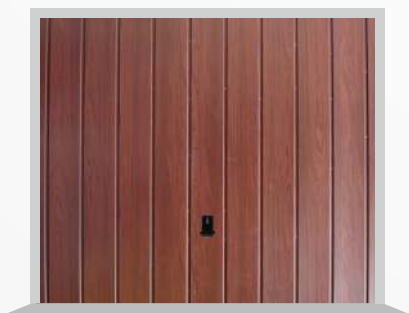
Rivington Personnel
Hinged on the left



Adlington Retractable



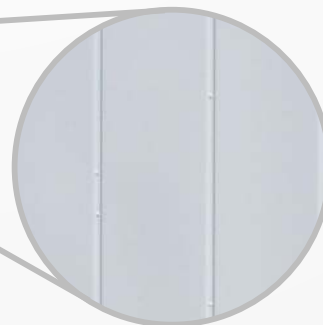
Adlington Personnel
Hinged on the left with Euro lock



Cartmel Retractable



Cartmel Personnel
Hinged on the left



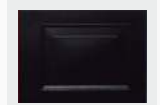
Golden Oak Laminate



Light Ivory RAL 1015



Irish Oak Laminate



Jet Black RAL 9005



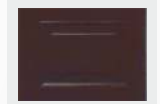
Rosewood Laminate



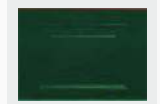
Ruby Red RAL 3003



Cobalt Blue RAL 5013



Vandyke Brown BS08B29



Moss Green RAL 6005



Anthracite Grey RAL 7016

Langdale range



Langdale Centre Split



Langdale off Centre Split
Hinged on the left



Langdale Canopy

Bowdon range



Bowdon Centre Split



Bowdon off Centre Split
Hinged on the right



Bowdon Canopy

Derwent range



Derwent Centre Split



Derwent off Centre Split
Hinged on the right



Derwent Canopy



Colour range



Langdale Retractable



Langdale Personnel
Hinged on the right



Bowdon Retractable



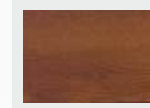
Bowdon Personnel
Hinged on the right



Derwent Retractable



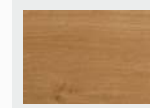
Derwent Personnel
Hinged on the left



Golden Oak Laminate



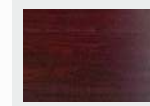
Light Ivory RAL 1015



Irish Oak Laminate



Jet Black RAL 9005



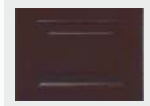
Rosewood Laminate



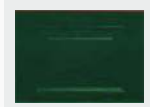
Ruby Red RAL 3003



Cobalt Blue RAL 5013



Vandyke Brown BS08B29



Moss Green RAL 6005

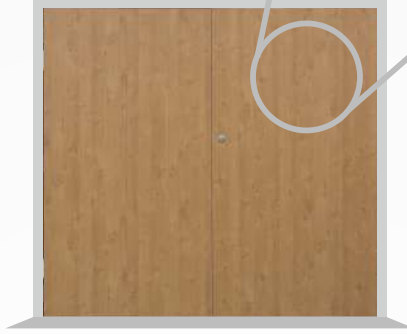


Anthracite Grey RAL 7016

New ranges



Croston off Centre Split



Croston Centre Split
Hinged on the right



Croston Canopy or Retractable



Belmont Canopy or Retractable



Belmont Centre Split
Hinged on the right



Rufford Centre Split
With optional extras



Rufford Canopy or Retractable



Gisburn off Centre Split
Hinged on the right with optional extras



Gisburn Canopy or Retractable



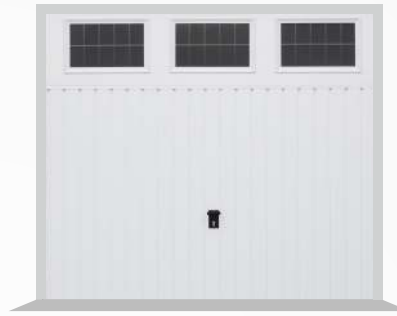
Specials



Rivington off Centre Split
With window option



Rivington Wicket Door



Rivington Retractable or Canopy
With window option



Rivington Personnel
With window option



Marple off Centre Split
Hinged on the right



Marple Retractable or Canopy



Bowdon Double Bi-Fold



Marple Personnel



Dunham Retractable or Canopy
With window option



Dunham Centre Split
Hinged on the right



Dunham Bi-Fold
With window option



Dunham Personnel

Additional Extras

With our additional extras you can enhance the appearance of your garage door



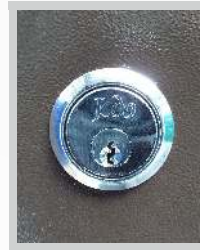
Brushed Steel



Antique Brass



Standard Black



Chrome/Satin



Brass



Chrome



Brass



Large Stainless
Ball bearing hinge 102mm x 76mm



Large Pull
19mm tubular
525mm overall length
Grade 201 stainless



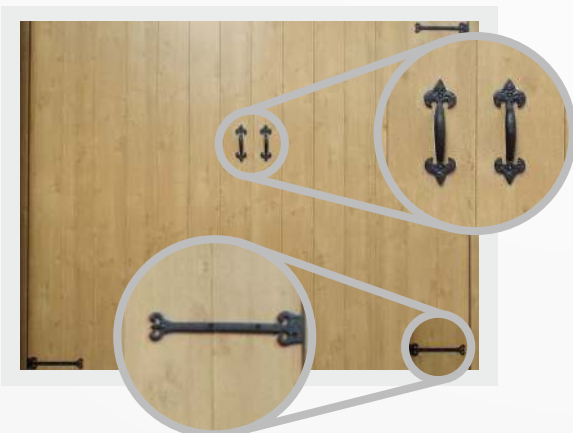
Euro Locking
Bars



Euro Locking Bars

Decorative

250mm Fleur-de-leys Hinge Front Black
- 180mm Fleur-de-leys pull handle



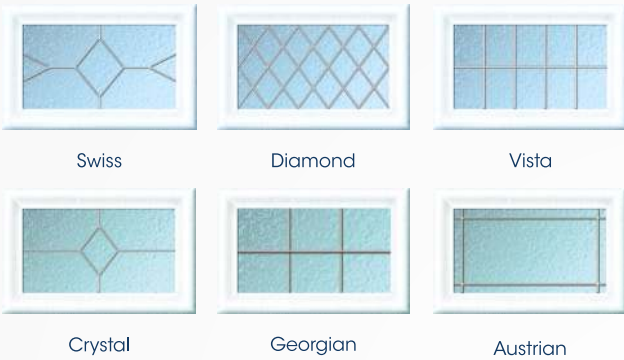
Large Pull
19mm tubular
525mm overall length
Grade 201 stainless

Large Stainless
Ball bearing hinge 102mm x 76mm



Decra Lead Windows

Enhance your window with one of our stylish leaded patterns.

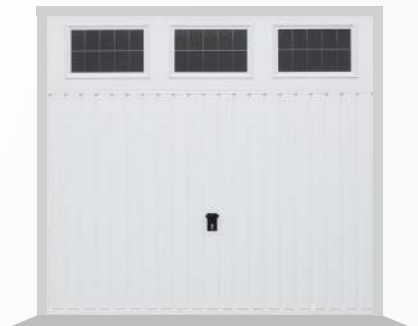
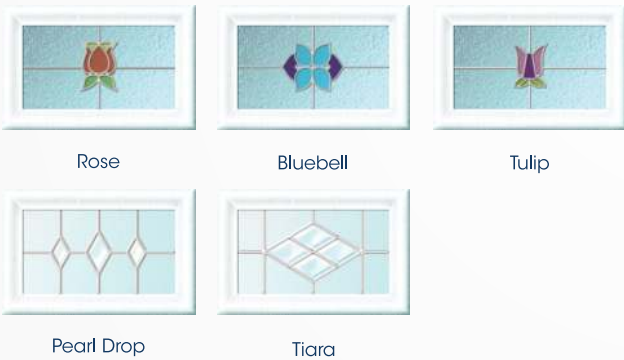


Window Examples



Decra Glass Windows

Add a touch of elegance with Decra Glass or add flair with a splash of colour.



Decra Trim Window Accents

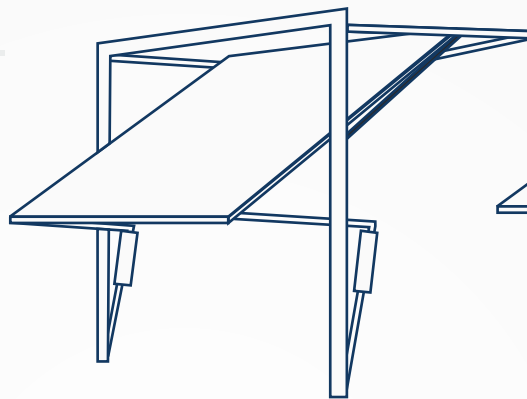
Add visual interest to your windows with easy-to-snap-in Decra Trim Inserts. Glazing available in dimple glass.



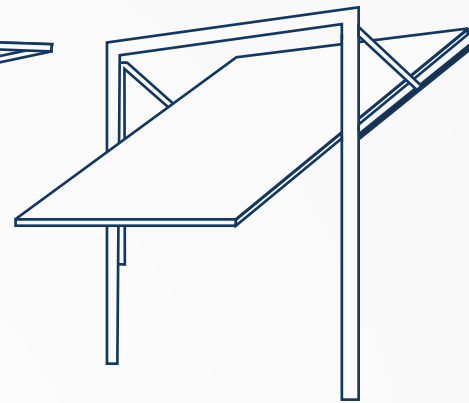
Door specifications

Retractable Doors

Retractable doors offer smooth operation and balance and are ideal for electric automation. A 2-point slam latch locking with euro lock handle located in the bottom third of the door provide security. Tracks will protrude into the garage and drive thru clearance will be reduced by the mechanism, measurements can be calculated once door sizes are known. Wicket doors are an optional extra in the Rivington design. Maximum width 4876mm (16ft)



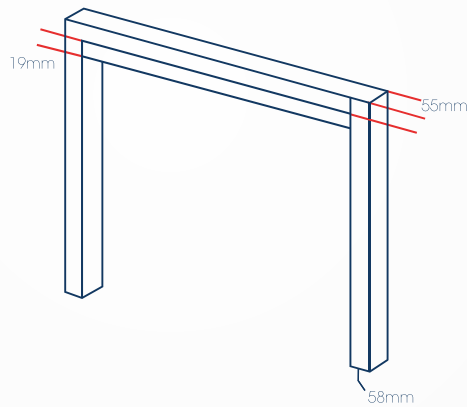
Retractable Door



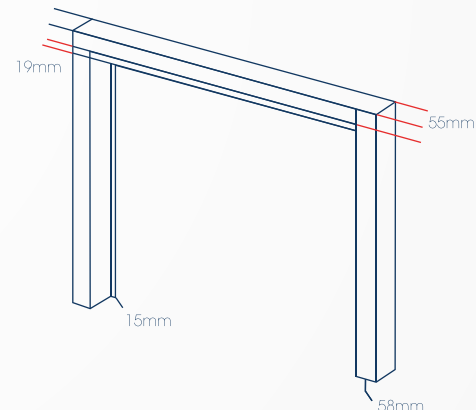
Canopy Door

Canopy Doors

Canopy doors operate with an overhead torsion spring and vertical tracks fixed directly to the frame. Therefore, there are no tracks suspended from the ceiling and full drive thru clearance is gained between the frame. Multi point locking with euro profile lock centred in the top third of the door. Maximum width of 2743mm (9ft). 2438mm (8ft) with windows.



Canopy/Retract Frame



Side Hinge Frame

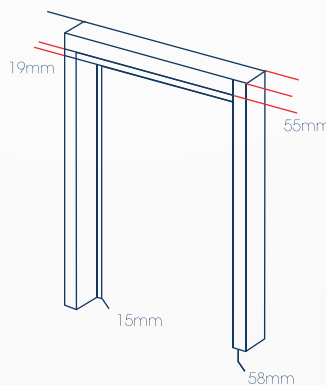
Side Hinged Doors

Available as centre split or off centre split, right or left hand leading, opening in or out. Doors will be supplied with silver brushed effect night latch with tower bolts top and bottom on the second door. Doors that open out will be fitted with a draught seal to the sides and the top of the internal frame.

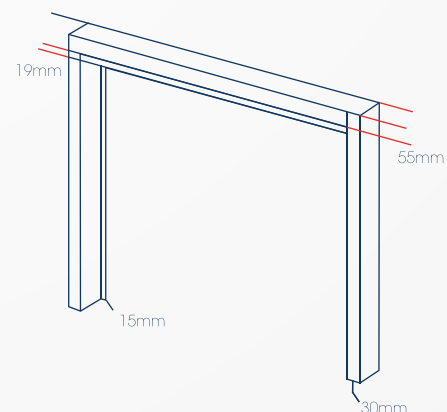
Unless specified at the time of order, doors will be made with the first door opening on the right as viewed from the outside.

Personnel Doors

Unless specified at the time of order, doors will be made with the hinges on the left viewed from the outside opening out with brushed chrome night latch.



Personnel Frame



Side Hinge Frame
Narrow frame option

Frame detail

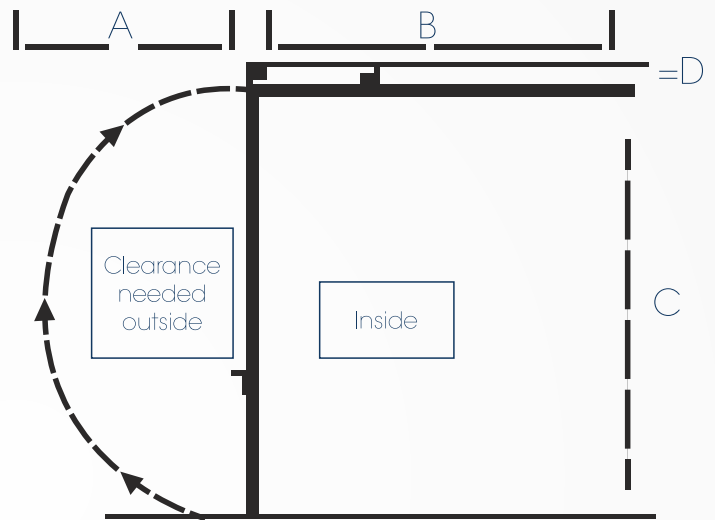
All doors up to 3658mm (12ft) are available with a pre-fitted steel frame. These are finished in one of our powder coated colours and offers a strong low maintenance alternative to timber. See diagram for frame dimensions.



Gear projections and clearance data sheet

Retractable

- A) Projection in front of the opening from the door face
- B) Projection into the garage from REAR of the door frame
- C) Height clearance inside the garage excluding any lock projections and deep bracing on double doors
- D) Kick up inside the garage above bottom edge of frame



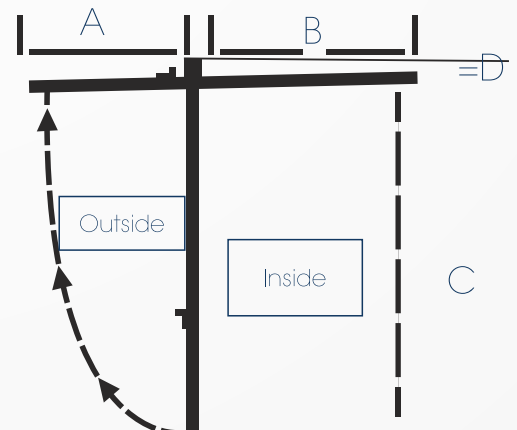
AP150/200/250/350

	1980mm(6'6")	2134mm(7'0")	2286mm(7'6")	2591mm(8'0")
A	888	1041	1194	1347
B	1890	1890	2195	2195
C	1900	2053	2206	2659
D	25	25	25	25

Canopy Gear

Ap130

	1960mm(6'6")	2134mm(7'0")
A	910	1040
B	1890	1890
C	1855	2008
D	25	25



Canopy

	1980mm(6'6")	2314mm(7'0")
A	610	763
B	1285	1285
C	1857	2010
D	63	63



Select Steel Warranty

Select Garage Doors Ltd provides a five year limited warranty against manufacturing defects from date of purchase. In the event of a claim, please contact the distributor who originally supplied the product, who will then supply details of the claim along with the proof of purchase to Select Garage Doors Ltd. Valid claims will be repaired or replaced at our discretion.

Operating gear

All products must be installed in accordance with installation instructions. Moving parts should be lubricated 3 to 4 times a year to ensure smooth operation. A qualified engineer must inspect and carry out repairs/replacements as necessary. DO NOT ATTEMPT THIS YOURSELF. AS THIS COULD BE POTENTIALLY DANGEROUS.

Appearance

During the manufacturing process it is possible that some distortion in the panels may occur. A visual inspection should be carried out in natural daylight (not direct sunlight) from a distance of 3 metres to view the overall appearance, minor marks and blemishes not seen from this distance will not be covered by warranty.

Finish Warranty

Primed steel doors must receive a suitable exterior topcoat immediately after installation. This coating is not covered by warranty.

Factory finished powder coating is covered for five years. Laminate wood grain finish is covered for five years. Surfaces must be freely exposed to washing by rainfall and kept clear of bird droppings, accumulated dirt and debris. The door and frame should be kept free from impact damage, scratches and other surface abrasions. Damage, corrosion or discolouration caused by contact with an excessively salty atmosphere, abnormal elements within the building or from pollution, chemicals, or caustic substances are excluded from warranty.

Cleaning

Cleaning should be carried out with a soft, non abrasive sponge and clean water.

The company reserves the right to make alterations in design and manufacture as are deemed necessary without notification.

Note:

Our products are not suitable for use as gates on external installations.

